

VC0363 is a low cost USB 2.0 camera processor targeting for embedded Notebook webcam and standard-alone webcam. With a programmable sensor master clock output, VC0363 can support most common CMOS image sensors from VGA to 1.3Mega pixel resolutions.

KEY FEATURES

Standards

- Built-in USB2.0 HS & FS transceiver
- Built-in 32KB ROM
- Support ISO IN pipe for video streaming
- Compliant with USB Video Class 1.1

MCU

- Built-in 8051 core compatible micro controller
- Built-in 2KB on-chip SRAM for data
- Support EEPROM for settings and code

Sensor Interface

- Support CMOS Image Sensors
- Support sensors with YUV/MJPEG output
- Support parallel interface
- Programmable sensor clock output
- Support I2C for sensor configuration

ISP / IPP

- No internal ISP and use Sensor's ISP
- Average downsize, max input is 1280*960
- Bilinear downsize, max input is 640*480

Video capability

Standard	Resolution	YUY2	MJPEG
VGA	640x480	30fps	N/A
SXGA	1280x1024	7fps	N/A

I/O

- USB 2.0 High Speed (Device)
- GPIO / PWM / I2C

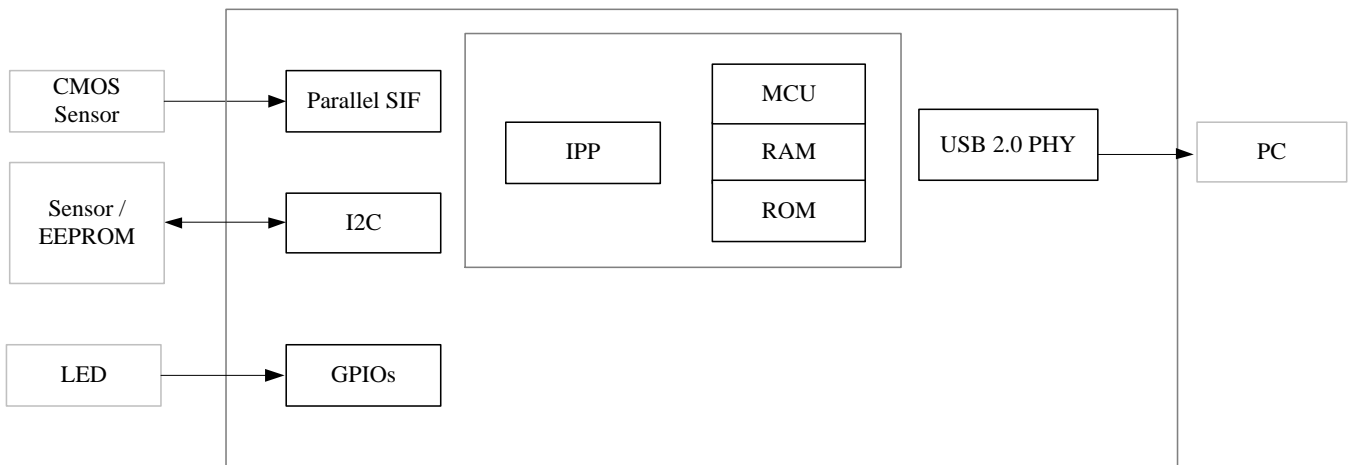
Package Information

Part Number	VC0363TLVA
Package Type	T-QFN 48pins
Size	6.5 x 5mm

Part Number	VC0363PLVA
Package Type	LQFP 48pins
Size	7 x 7mm

Part Number	VC0363TGVB
Package Type	T-QFN 32pins
Size	4 x 4mm

Chip Block Diagram



Application Diagram

